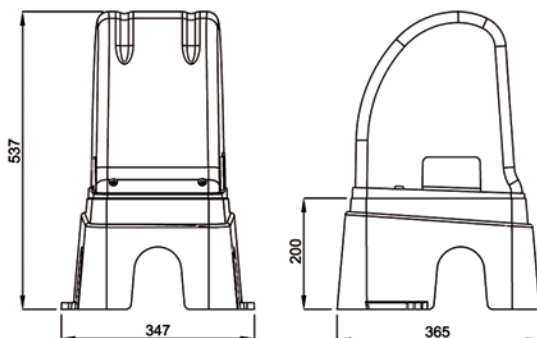


FIBRE OPTIC LIGHTING



Fibre Optic Generators

Code	Description
LT8501001	HM generator / illuminator 8 colours 150W
LT8501002	H generator / illuminator 8 colours 250W
LT8501501	Spare bulb 150W for HM generator (metal Halide 6000 hrs life approx)
LT8501502	Spare bulb 250W for H generator (halogen 1000 hrs life approx)



Fibre Optic Generators

Certikin's generators are light sources that provide optimum light intensity for fibre optic installations. Equipped with special lamps, these light generators have an electronic control circuit to activate the following operations: On/off, colour selection and automatic function modes.

The generators have an IPX4 protection rating and are therefore suitable for outdoor installation.

Advantages

Large 600 fibre capacity – less generators are required in any given installation.

Remote control – included for all generators.

Auto synchronization for multiple generators. The generators are auto synchronizing without the need for master / slave generators. A simple cable connection is all that's required regardless of generator type and generators from different ranges may be connected within a single installation.

Features

- **Eight different colours** – White, Dark Green, Cyan, Pink, Blue, Lime Green, Yellow and Aquamarine
- **Colour change** – the use of a step by step motor allows the colour to be controlled with instant changes
- **Sequential colour change with variable timing by colour** – allows colour changes with predetermined duration of between 10 seconds-10 minutes which can be set individually for each colour via the generator.
- **Variable speed continual colour change** – in this mode the colour wheel can be set to a constant speed of anywhere between 30-180 seconds per turn. This speed is programmable via the generator.
- **Timed off switch** – variable timer with automatic off switch adjustable for half hour to 4 hour operation.
- **Start up functionality** –The generator will always start up in the same operating mode as the last time the power supply was switched off, following any interruption to the power supply (including power cuts or where an external timer is in use).
- **Optional Keypad disablement function** – for public pools where the generator is located within reach of the swimmers, the keypad can be disabled to avoid accidental interference. Please contact us for details

Should you require a proposal for any installation please contact us.