

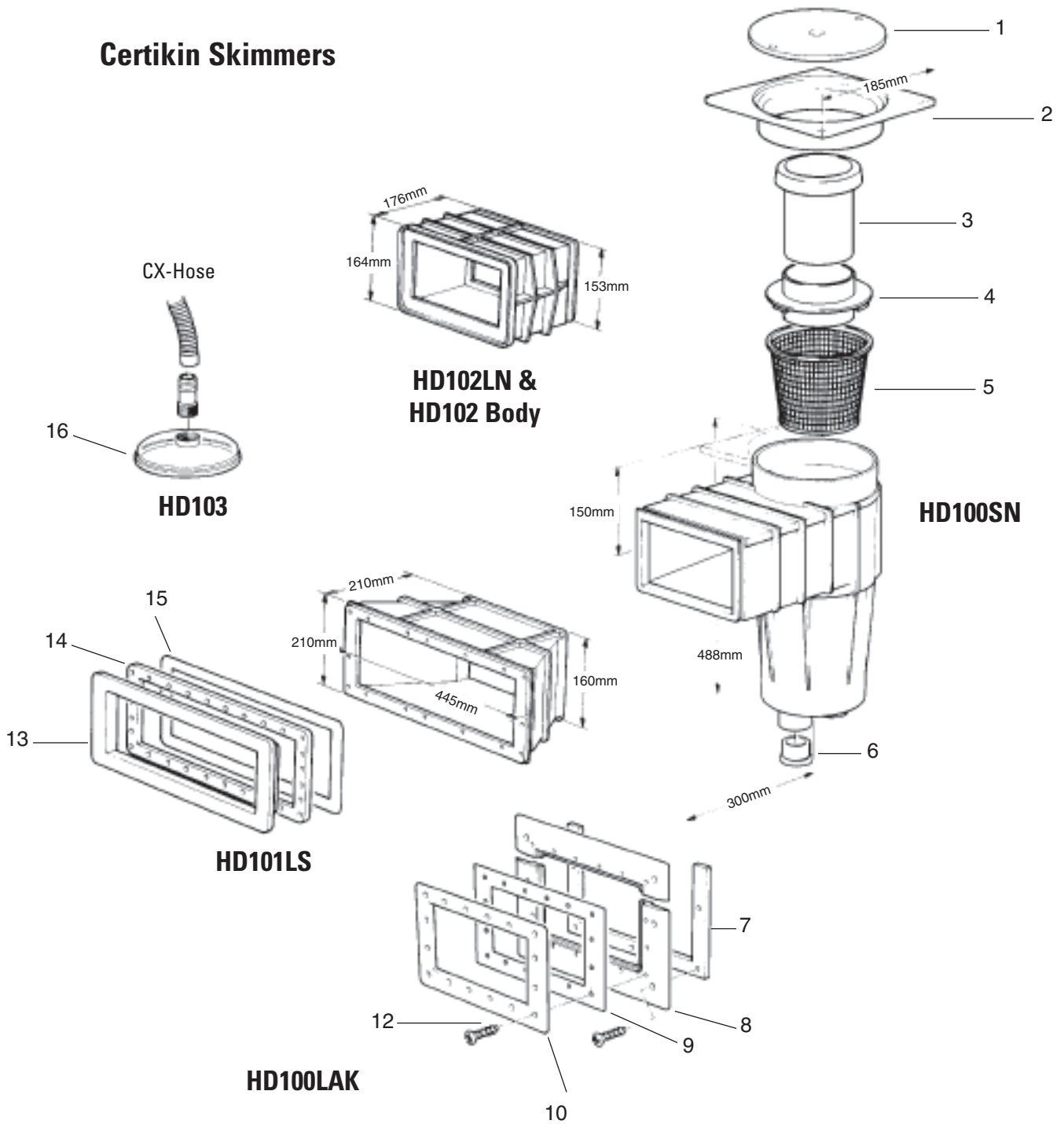
Pool fittings



- Skimmers
- Main Drains
- Inlets
- Vacuum Points

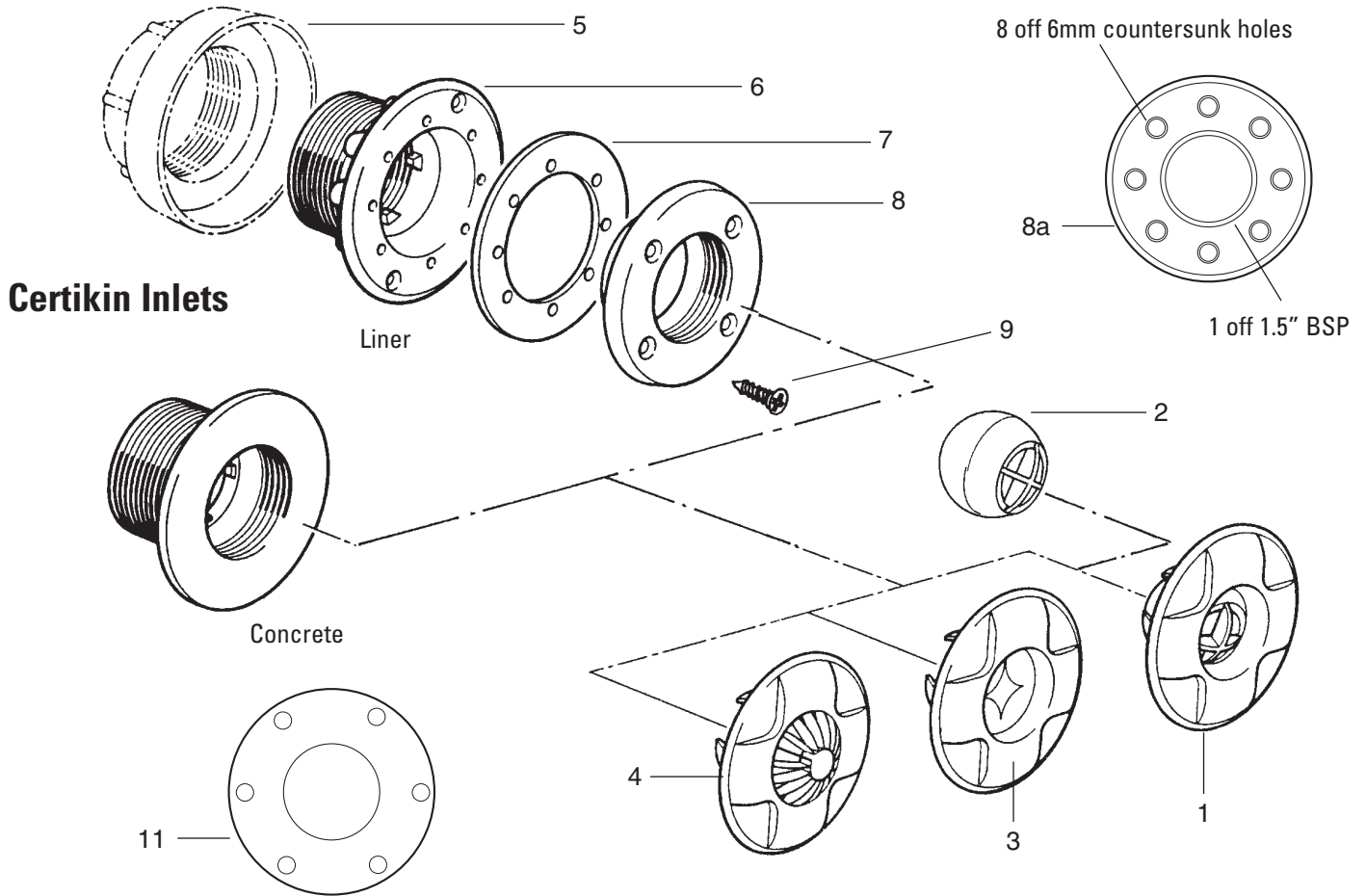
Pool fittings

Certikin Skimmers

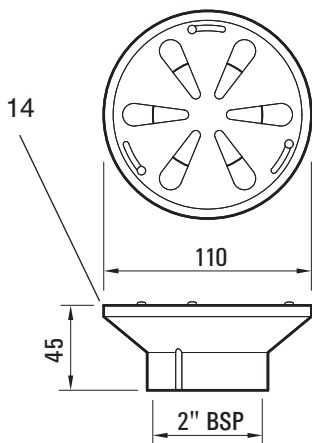


Product Information	Manufacturers Code	Item No:	Certikin Code	Product Description
1 required 1 required 1 required 1 required 1 required 1 required 2 required 1 required 1 required 1 required 1 required 1 required 1 required 3 required		 1 2 6 3 4 5	SPC406/10 SPC402 SPC403 SPHD100 SPC4032 SPC4031 SPC455/INS SPC415 SPC416/10 HD8M SPC423 SPC446 SPC447 SPC424 SPC404	Certikin Skimmer (HD100N & HD100SN) Lid Screw M6 x 12mm - pack of 10 Lid Lid Frame Skimmer Lid & Screw Set (Inc Lid & Screws) 2" Lid Frame Extension & Frame - Pre Glued 2" Lid Frame Extension Only M6 Lid Frame Inserts Key Hole Flap Key Hole Flap Screws - pack of 10 50mm Metric Slip Plug Flap Weir Floating Collar Weir Float Guide Flap & Collar Basket Assembly Collar Weir Clips
1 required 1 required 1 required 1 required 1 required 1 required 1 required		 13 14 15	SPC436 SPC432 SPC434S SPC435SN SPC405P/25 SPC428/10 SPC429/10 SPHD101L	Wide Angle Extension Throats (HD101LS & HD101CS) WAET Concrete Cover Plate - (435mm x 220mm) WAET Liner Cover Plate - (425mm x 195mm) WAET Liner Flange Cover WAET Liner Flange Gasket Screw - No:12 x 7/8" - pack of 25 WAET Holding Screws - pack of 10 WAET Holding Nut - pack of 10 WAET Liner Kit (Inc Face Plate, Flange, Gasket & Screws)
1 required 1 required 1 required 1 required 1 required		 7 8 9 10 12	SPC418N SPC420N SPC426 SPC419N SPC405P/25	Parallel Extension Throat (HD100LAK & HD102LN) Liner Backing U Bracket - Panel Pools 2 Part Liner Front Plate Parallel Throat Liner Gasket 1 Part Parallel Throat Liner Face Plate Screw - No:12 x 7/8" - pack of 25
			SPC421 SPC420 SPC422P/25 SPHD102	Parallel Extension Throat (Old Type) Old Parallel Throat Liner Flange Gasket Old Parallel Throat Liner Face Plate S/S Fitting Screw - No:10 x 1" - pack of 25 Old Type Parallel Throat Liner Kit (Inc Face Plate, Gasket & Screws)
		16	SPC440	Kornea Kornea Gasket Old Type - While Stocks last

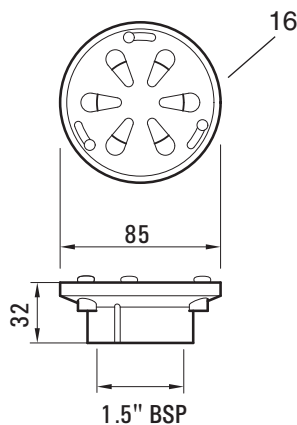
Pool fittings



HD502

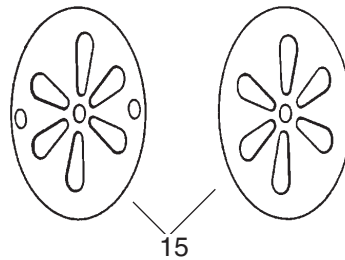


CK5015



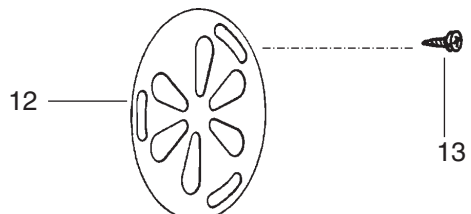
CK50

CK5015 1.5" Inlet (Chrome / Brass)
CK502 2" Inlet (Chrome / Brass)



HD50

HD5015 1.5" Inlet (ABS)
HD502 2" Inlet (ABS)

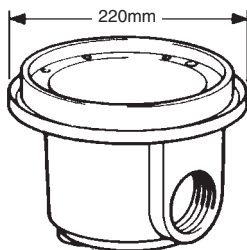


Product Information	Manufacturers Code	Item No:	Certikin Code	Product Description
1 required 1 required 1 required 1 required 1 required 1 required 1 required 1 required 1 required 1 required 2 required 2 required 1 required 1 required		1 2 3 4 5 6 7 8 8a 9 11 12 12 13 14	SPC487 SPC488 SPC332 SPC490 SPC493 SPC492 SPC333 SPC494 SPC4948 SPC405P/25 SPC485 SPC390 SPC387 SPC388/10 SPC389 SPHD53L	Certikin Inlets & Vacuum Points Eyeball Housing Only - Liner / Concrete Eyeball Only - Liner / Concrete Vac Cover Plate - Liner / Concrete Grill Cover Plate - Liner / Concrete Panel Pools Backnut Inlet Body - Liner Gasket - Liner 4 Hole Faceplate - Liner 8 Hole Faceplate - Liner Screw No:12 x 7/8" - Pack of 25 Old to New Liner Conversion Plate 2" ABS Petal Inlet Plate 1.5" ABS Petal Inlet Plate 6 x 3/8" S/S Screw for HD502 & HD5015- 2" ABS Body Only Inlet Spare Parts Kit - HD53L Only (Inc Flange, gasket, Eyeball & Screws)
1 per assembly		16	SPC393 SPC394/10	CK5015 1.5" Adj Chrome Inlet Cover Top Plates - Stainless Steel Base Plate Screws - Pack of 10
1 per assembly 4 per assembly		15	SPC374 SPC399/10 SPC394/10	CK502 2" Adj Chrome Inlet S/S Drilled Petal Plates C/W Screws Top Plate Screw - Pack of 10 Base Plate Screw - Pack of 10

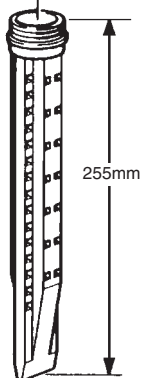
Pool fittings

Certikin Main Drains

HD33

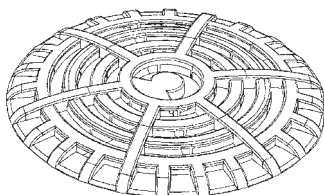
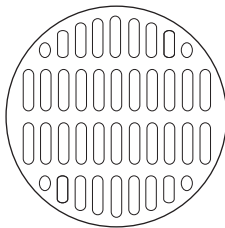


HD35
(see main pricelist)



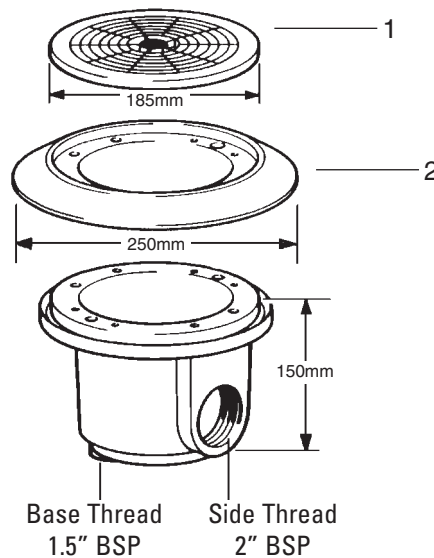
SPCK33G

New Style Stainless Steel
Main Drain Grille



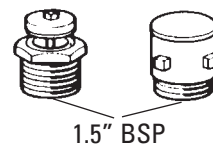
SPC266N(3)

HD33L



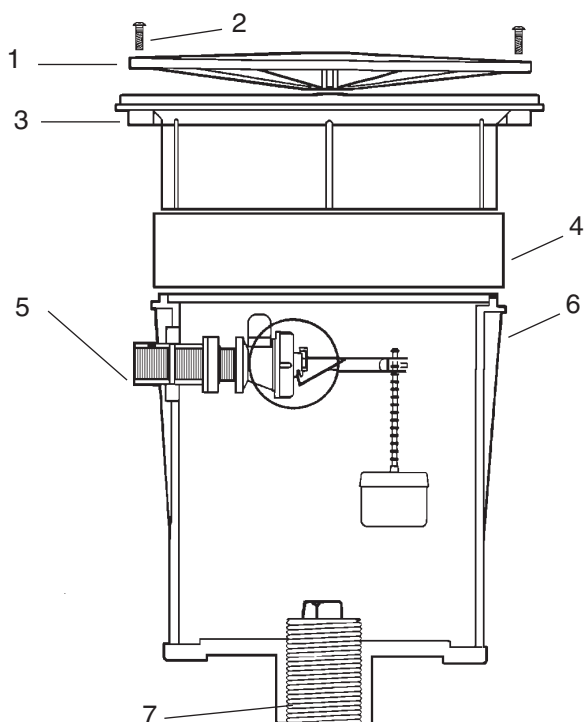
CK34S

HD34



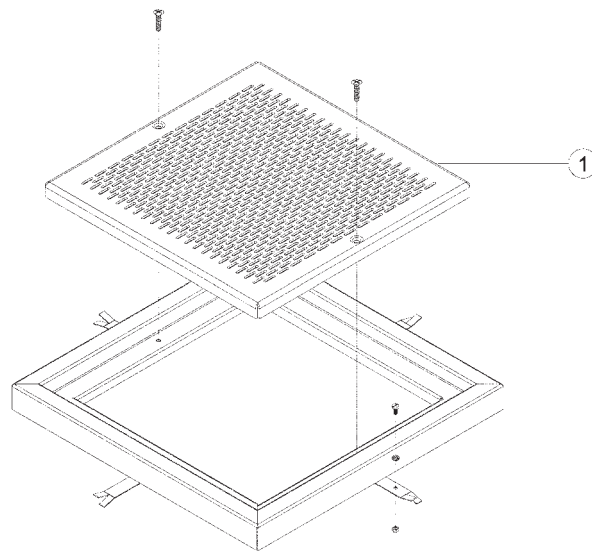
(see main pricelist)

HD108 Water Leveller



Product Information	Manufacturers Code	Item No:	Certikin Code	Product Description
		1	SPC266	Certikin Main Drains HD33 & HD33L Main Drains ABS Grille 185mm Diameter (for early Main Drains -pre 1990, use cover kit SPC264)
		2	SPC271	Liner Flange - Old Type
		3	SPC266N	High Flow Low Velocity ABS Grille
			SPC405P/25	Grille Fixing Screw 12 x 7/8" CSK POZI -
			SPC272	Liner Flange Gasket
			SPC271C	Concrete - Liner Adaptor Ring
			SPC271N	Liner Clamp Ring (fits SPC266N)
			SPC422P/25	Liner Flange Screw 10 x 1" POZI -
			SPC304	Brass Hydro Valve Gasket
			SPC264	Replacement Main Drain Grille Kit (for pre 1990 main drains with no screw holes)
			SPC534/10	SPC266N Grille Screw 10 x 1.5" - Pack of 10
			SPHD33L	Liner Main Drain Spares Parts Kit (Inc High Velocity Lid, Flange, Gasket & Screws)
			SPHD33LO	Liner Main Drain Spares Parts Kit (Inc Standard Lid, Flange, Gasket & Screws)
			SPCK33G	S/S Drain Grille Only (Slotted Design)
1 required		1	SPC402T	HD108 Automatic Water Leveller Lid - Marked 'Top-up'
2 required		2	SPC406/10	S/S Lid Screw M6 x 12mm - Pack of 10
1 required		3	SPC403	Lid Frame
		4	SPC982	Lid Extension Ring
1 required		5	SPC989	Complete Auto Top- up Valve
1 required		7	CP15TP/10	Pack of 1.5" Threaded Plugs - Pack of 10
1 required			SPC467S/10	Housing Screw M4 x 20 Combination
1 required			SPC983/10	Stainless Steel Washer M4 - Pack of 10
1 required			SPC984/10	Full Nut M4 - Pack of 10
1 required	85007400	1	APC850005	Americana Skimmer Lid 9.25" Diameter
1 required	85000600	2	APC850006	Lid Ring - 9" Seat
1 required	R38013B	3	APC850012	Floating Weir - 6.5" Diameter
1 required	R38013A	4	APC850001	Basket - 8.5" Diameter
1 required	85001900	5	APC850019	Vac Plate - 8" Diameter
1 required	85000700		APC850007	Lid Frame - 10.5" Diameter
1 required	85002300		APC850023	Extension Collar
				Please contact us for pricing

Product Information	Manufacturers Code	Item No:	Certikin Code	Product Description
		1	CE02030302	Square S/S Grille Grille 300 x 300 Grille 400 x 400 Grille 500 x 500
		1	CE02030303	
		1	CE02030304	



S/S Grille