

Uniclass		EPIC	
L8133:L747336		K733:B773	
CI/SfB			
541/4	(63)	X	

# MINI LED Underwater Lights

## MINI LED Underwater Lights

The Certikin MINI LED light can be used in both swimming pools and spas and is environmentally friendly thanks to its long life expectancy and energy efficiency. These LED lights will last up to 100,000 hours and use 80% less power than traditional under water lights, thus reducing both maintenance and running costs. Lights are available in either white or multicolour options where a choice of fixed colour or automatic colour sequencing can be used to create a range of different effects. The light comes in a variety of options including ABS or stainless steel faceplates, and to suit concrete, panel, liner, and prefabricated pools and spas.

## Technical Characteristics

- White lights contain 3 x white LEDs
- Multicolour lights contain 1 x red, 1 x green and 1 x blue LEDs.
- High efficiency Luxeon LEDs with initial output: 143 lumens
- Power consumption: 11w per unit
- Class III Electric apparatus with very low safety voltage (12v AC).
- Complies with IPX8 protection at a nominal installation depth of 2m and with international safety standards for lights including EN 60598-2-18 Part 2
- Multicolour light has 12 function modes: 6 fixed colours and 6 colour sequences.
- Cable length: 2.5m

### Accessories:

A PLCB200 control box must be used to supply current to the MINI LED's. Each control box can supply power to a maximum of four MINI LED spotlights and features a push button controller to alternate between 6 fixed colours and 6 colour sequences.

Control box/power supply means that no additional transformers are required.

May be combined in synchronised systems using PLQ or PLF series lights

PLSC100WX (Multicoloured)  
PLSW100WX (white)



PLSC200S(Multicoloured)  
PLSW200S (white)



PLSC300C (Multicoloured)  
PLSW300S (white)



PLSC400P (Multicoloured)  
PLSW400P (white)



### Mini Multicolour LED operation modes:

Set colour: Selection of one set colour out of six possibilities.

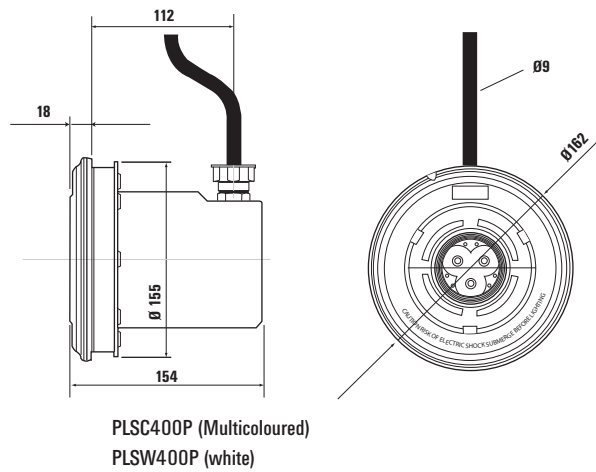
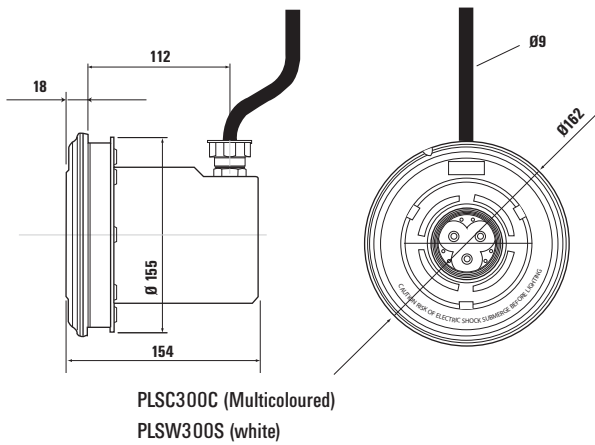
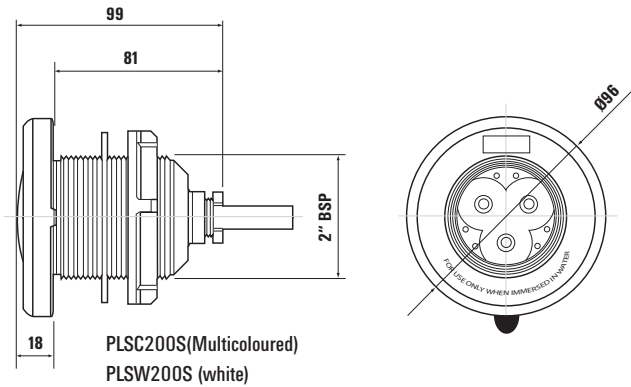
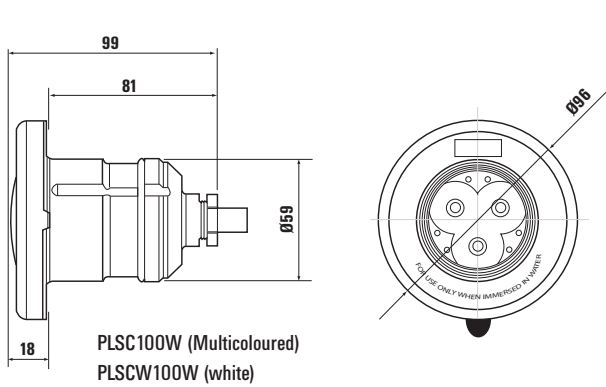
Colour No.	% Red	% Blue	% Green	Colour
1	100	100	100	white
2	100	0	0	red
3	0	100	0	blue
4	0	0	100	green
5	100	100	0	purple
6	0	100	100	cyan

Automatic sequence of colours: Selection of six colour sequence programmes. Each programme is defined by the lighting time of each colour and the transition time from one colour to another according to the table below.

Sequence	Order of Colour	Colour Timing (sec)	Blending Timing (sec)
1	R,B,G,P,C,Y	2	2
2	R,G,C,B,P,Y	4	4
3	P,C,Y	4	4
4	R,B,G	8	8
5	P,C,Y	18	18
6	Y,P,C	0.5	0.5

R = Red  
B = Blue  
G = Green  
P = Purple  
C = Cyan  
Y = Yellow

## Technical Drawings



### Installation Information - Calculating the number of lights per pool

It is recommended to install a light for every 5m<sup>2</sup> of water surface. In swimming pools that are especially deep, a light is required for every 10m<sup>3</sup> of water volume.

In order to prevent glare, the lights should be installed so that

they face away from the residence or usual view of the swimming pool.

For full installation and operating instructions please refer to the MINI LED light instruction manual.

#### Packing

Code	Description	Weight kg ABS faceplate	Weight kg S/S faceplate	W (cm)	H (cm)	D (cm)	Volume m <sup>3</sup>
100 Range	Push fit MINI LED lights	1.46	1.46	13	11	12	0.00172
200 Range	MINI LED light for spas / prefabricated pools	1.24	1.58	13	11	12	0.00172
300 Range	MINI LED light for concrete pools	1.46	1.95	16	16	16	0.00410
400 Range	MINI LED light for panel pools	1.98	2.014	16	16	16	0.00410
PLCB200	MINI Control Panel	1.46	1.46	31	21	90	0.05860

Available in ABS and stainless steel faceplates.

Weight in kg

Measurements in cm.