

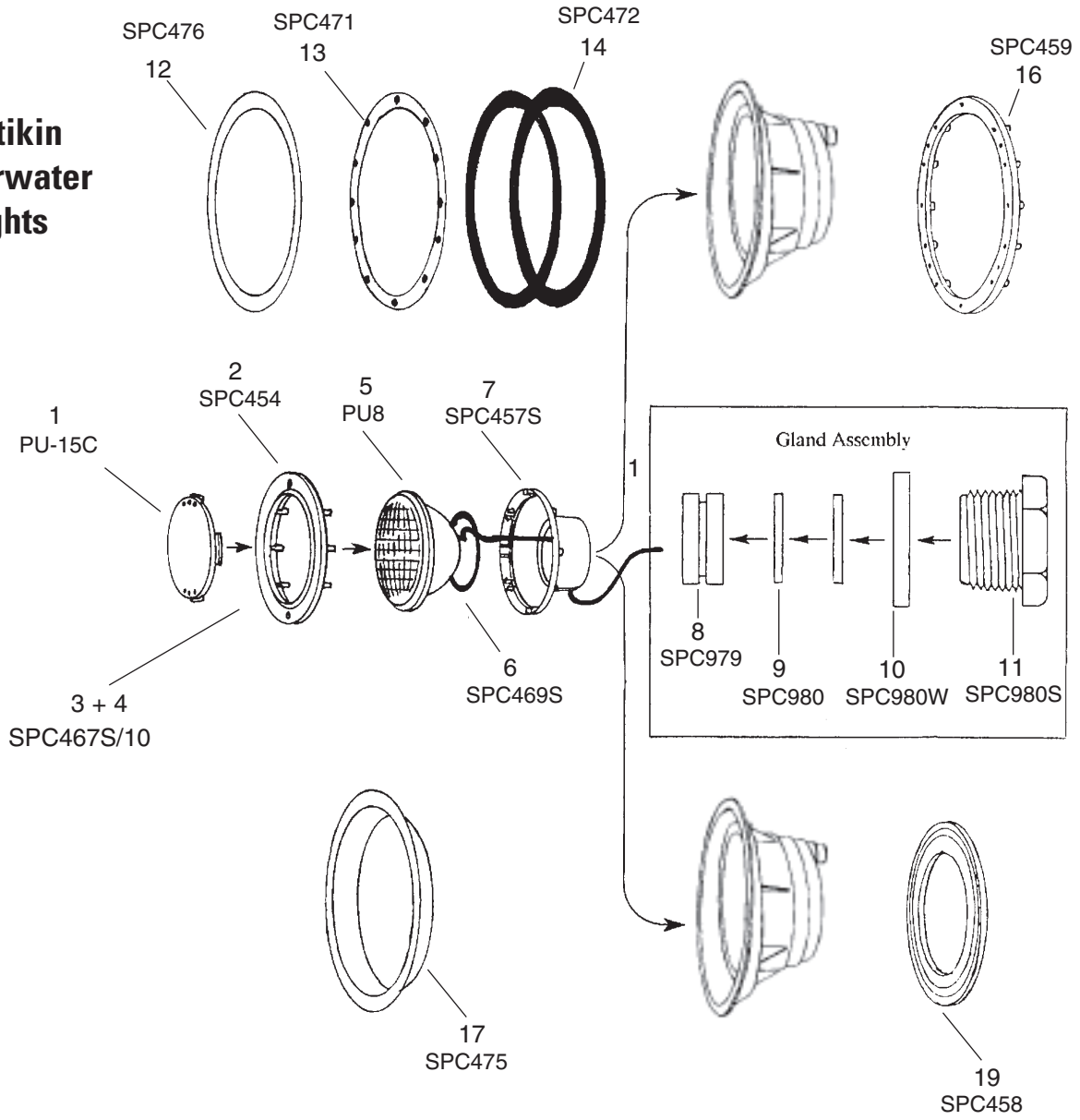
# Lighting



- Underwater Lights
- Spa Lights
- Accessories
- Transformers
- Deck Box

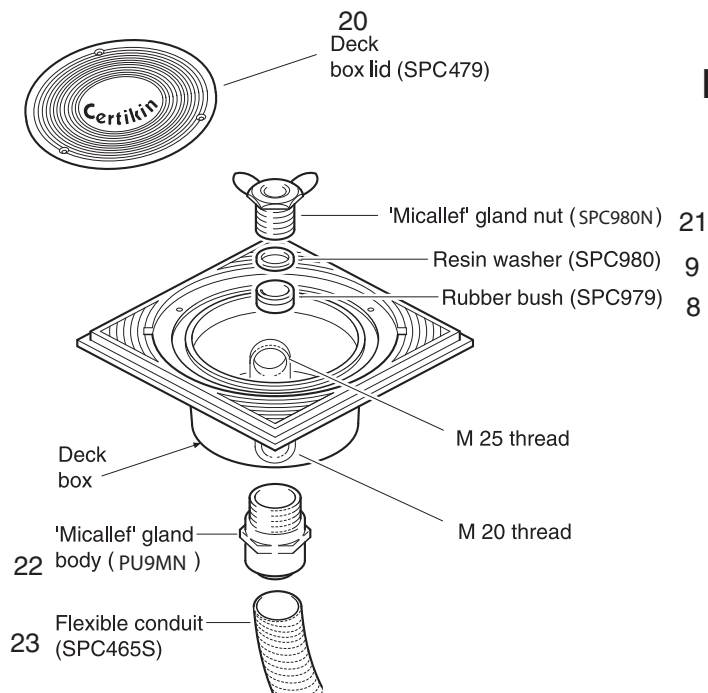
Product Information	Manufacturers Code	Item No:	Certikin Code	Product Description
<b>PU9-4</b> <b>PU9-4</b>		1	<b>PU15C</b>	<b>Certikin PU9 Underwater Light</b> Shock Resistant Lens - Clear
		2	<b>SPC454</b>	Front Plate - PU9
			<b>SPC466N/10</b>	Front Plate Screw M6 x 22 - <b>Pack of 10</b>
		3 + 4	<b>SPC467S/10</b>	Lamp Housing Screws & Washers -
		5	<b>PU8</b>	300W Replacement Bulb Kit Including 'O' Ring
		6	<b>SPC469SN</b>	Bulb 'O' Ring - (Fat GE Type)
		7	<b>SPC457S</b>	Slim Lamp Housing
		8	<b>SPC979</b>	Micallef Gland Bush
		9	<b>SPC980</b>	Micallef Gland Washer
		10	<b>SPC980W</b>	Micallef Gland Washer
		11	<b>SPC980S</b>	Micallef Gland Nut
			<b>PU9MN</b>	Micallef Gland Complete
		12	<b>SPC476</b>	Liner Facia Ring Clip On
		13	<b>SPC471</b>	Liner Face Plate - 12 Hole
		14	<b>SPC472</b>	Liner Light Gasket
			<b>SPC438P/25</b>	Liner Light Screw - <b>Pack of 25</b>
			<b>SPPU9L</b>	Liner Light Spare Kit (Inc Facia Ring, Face Plate, Gaskets & Screws)
			<b>PU456S</b>	Slim Liner Niche Flex Conduit C/W Gasket, Screws Etc
			<b>PU456T</b>	Slim Liner Niche For Rigid Conduit C/W Gasket, Screws Etc
<b>2 required</b> <b>12 required</b>		16	<b>SPC459</b>	Liner Backing Ring
		17	<b>SPC475</b>	Concrete Facia Ring Glue
			<b>PU455S</b>	Slim Concrete Niche Flex Conduit C/W Gasket, Screws Etc
<b>Length to be specified</b>		19	<b>SPC458</b>	Puddle Flange
			<b>SPC460S</b>	CK 2 Core Rubber UWL Cable - <b>Per metre</b>
			<b>SPC460S3</b>	3 Metre 2 Core Light Cable & Connector
			<b>SPC460S5</b>	5 Metre 2 Core Light Cable & Connector
			<b>SPC460S8</b>	8 Metre 2 Core Light Cable & Connector
			<b>SPC460S12</b>	12 Metre 2 Core Light Cable & Connector
			<b>SPC460S15</b>	15 Metre 2 Core Light Cable & Connector
			<b>SPC460S20</b>	20 Metre 2 Core Light Cable & Connector
			<b>SPC460S30</b>	30 Metre 2 Core Light Cable & Connector
<b>2 required</b>			<b>SPC455/INS</b>	M6 Light Niche Brass Insert
			<b>SPC459S</b>	Spacer Ring For Shutter Installation
			<b>SPC533/10</b>	Panel Light Screws 1.5" x 10
			<b>SPC514P</b>	Screw Pack For Liner Face Plate & Back Ring 12 x Face Plate Screws & 4 x Back Plate Screws
			<b>SPC464</b>	Flexible Conduit 15 Metre Roll
			<b>SPC465</b>	Flexible Conduit Tube (Threaded End) - Old Style - 850mm
			<b>SPC465S</b>	Flexible Conduit 850mm (New Style)
			<b>SPC501</b>	Curved Conduit 3.5' (Hockey Stick)
			<b>SPC469N</b>	'O' Ring For Halogen Conversion Kit - Mk 1
			<b>SPC469S</b>	'O' Ring For TK LED Lamps
			<b>SPC497N</b>	Blue Shock Resistant Lens
			<b>SPC496N</b>	Green Shock Resistant Lens
			<b>SPC495N</b>	Red Shock Resistant Lens

# Certikin Underwater Lights



# Lighting

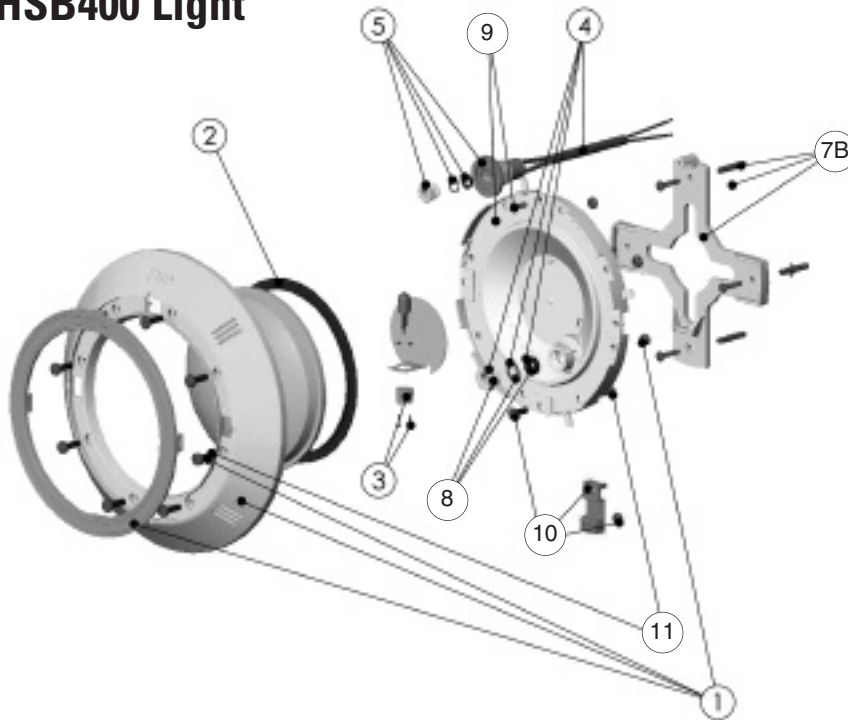
## PU10N Deck Box



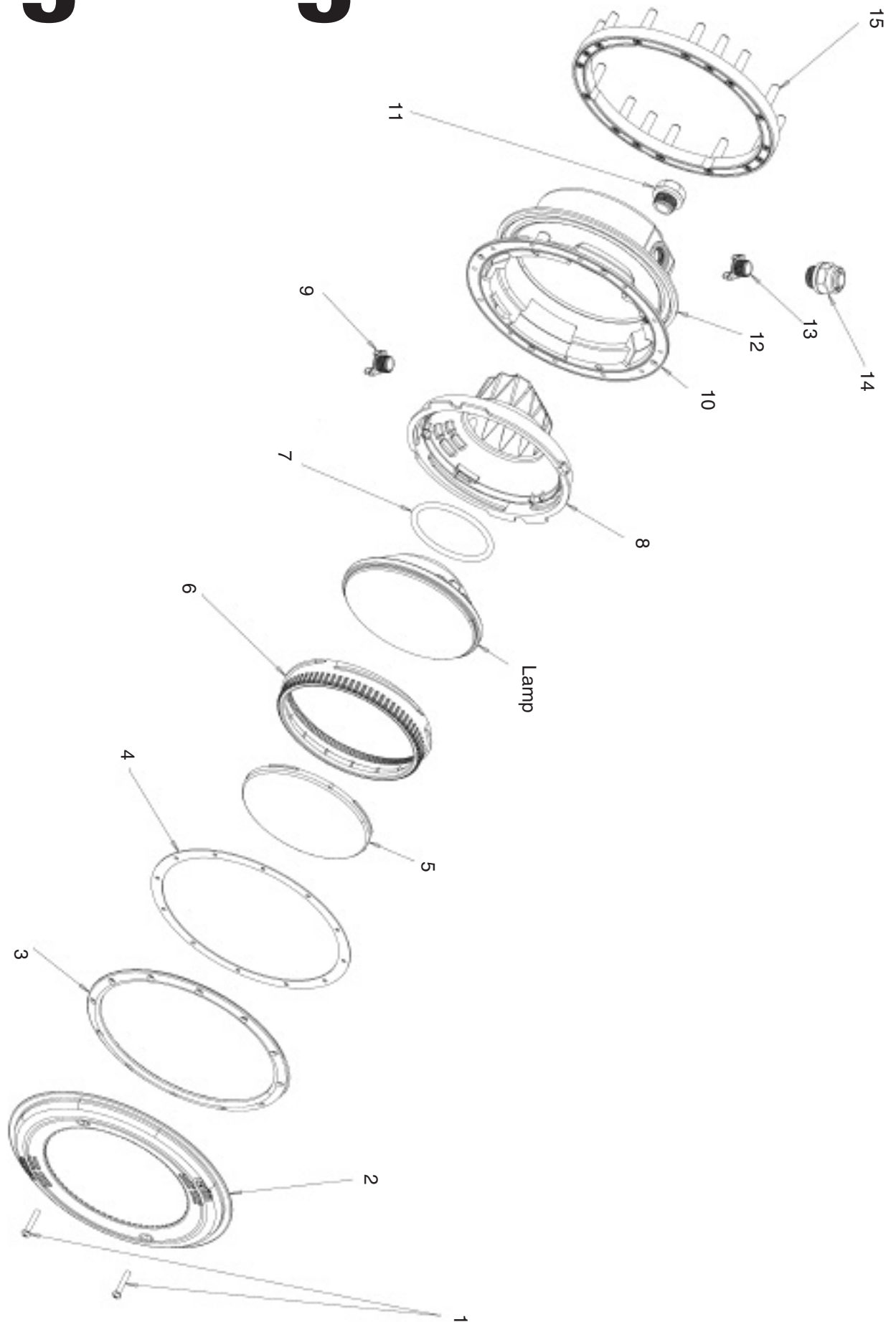
Product Information	Manufacturers Code	Item No:	Certikin Code	Product Description
			<b>SPC556H</b> <b>SPC556HN</b> <b>SPC460S3H</b> <b>SPC460S5H</b> <b>SPC460S8H</b> <b>SPC460S12H</b> <b>SPC460S15H</b> <b>SPC460S20H</b> <b>SPC556HB</b>	<b>Halogen Light</b> Replacement Bulb Kit - Mark 1 Replacement Bulb Kit - Mark 2 3 Metre 2 Core Light Cable & Halogen Plug 5 Metre 2 Core Light Cable & Halogen Plug 8 Metre 2 Core Light Cable & Halogen Plug 12 Metre 2 Core Light Cable & Halogen Plug 15 Metre 2 Core Light Cable & Halogen Plug 20 Metre 2 Core Light Cable & Halogen Plug S/S Back Plate C/W Lamp Holder - Mk 2
		20 21 23 8 9 22	<b>SPC479</b> <b>SPC980N</b> <b>SPC465S</b> <b>SPC979</b> <b>SPC980</b> <b>PU9MN</b> <b>SPPU10</b> <b>SPC853</b> <b>SPC853N</b> <b>SPC484/10</b>	<b>Deck Box</b> Deck Box Lid Micallef Gland Nut Flexible Conduit Micallef Gland Bush Micallef Gland Washer Micallef Gland Complete Deck Box Spares Kit (Inc Lid, 'O' Ring & Screws) Deck Box Lid 'O' Ring Deck Box 'O' Ring (Small) Deck Box Lid Screws - <b>Pack of 10</b>

Product Information	Manufacturers Code	Item No:	Certikin Code	Product Description
				<b>HSB400 Extra Flat U/W Light</b>
		1	CE03013401	Face Plate
		2	CE03010102	Silicone Gasket
		3	CE03011403	Lamp Holder
		4	CE03010104	Cable
		5	CE03011907	Cable Gland
		6	CE03013606	Nut & Gasket
		7B	CE03010106	Back Plate Assembly For Concrete
		8	CE03010107	Cable Gland
		9	CE03010108	Lamp Shade
		10	CE03010109	Light Assembly Hook
		11	CE03013410	Screw DIN-7985 M6 X 20 + Nuts

## HSB400 Light



# Lighting



Product Information	Manufacturers Code	Item No:	Certikin Code	Product Description
2 Required		1	SPC466S	<b>PU6 Quick Change U/W Light</b> Cover Screws M6 x 32
		2	SPC4756	Concrete & Liner Plastic Facia
		3	SPC471N	12 Hole Liner Clamp Ring
		4	SPC472N	PU6L Liner Gasket 2006
		5	PU15C	Shock Resistant Lens - Clear
		6	SPC454NC	Clear Screw On Light Front Ring
		7	SPC469SN	Bulb "O" Ring (Fat GE type)
		8+9	SPC457N	Lamp Housing & Gland
		10	SPC4556N	Concrete & Liner Niche
		11	SPC4556P	Niche Threaded Outlet Plug
		12	SPC458N	Concrete Paddle Flange
		13+14	PU9MN	New Micallef Gland
		15	SPC459N	Liner Back Ring
			SPC465S	PU9S Flexible Conduit - No Thread
			PU8	300W Replacement Bulb Kit Including 'O' Ring
			SPC514N	Liner Screw Pack - 12 No M5 x 45 & 4 No M5 x 20