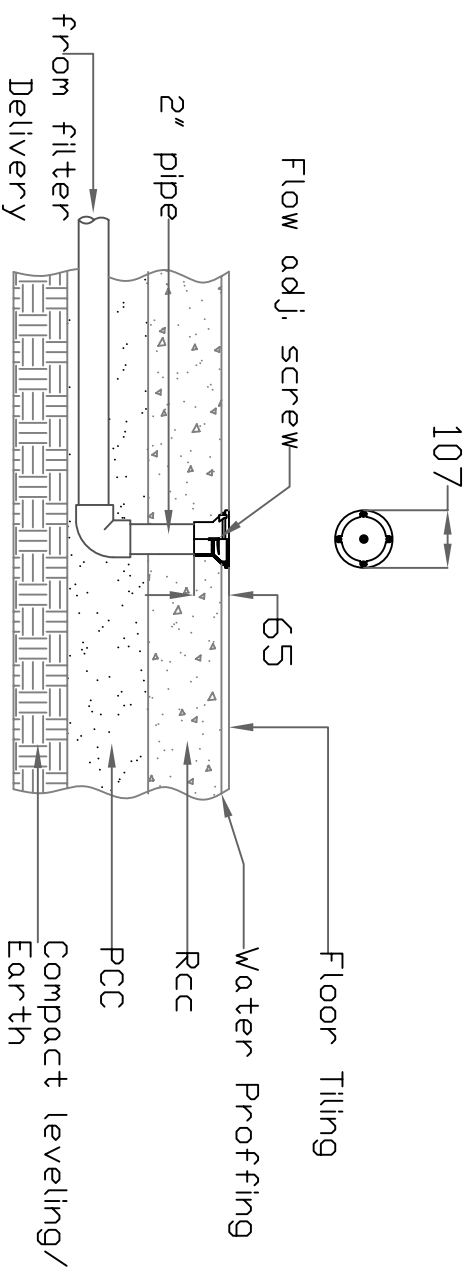
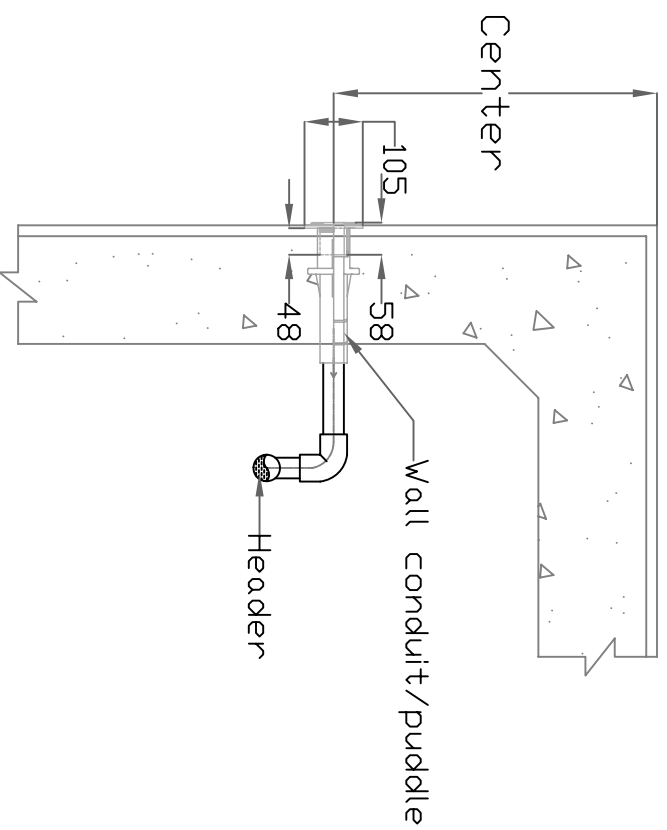
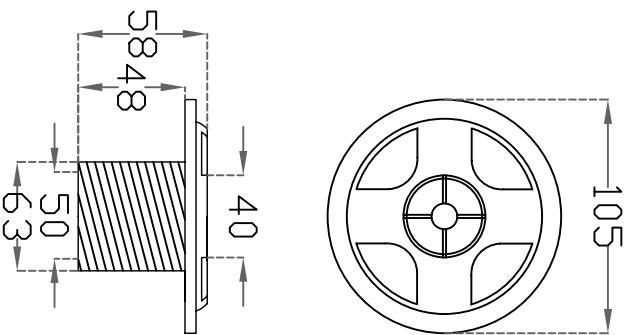


ALL DIMENSIONS ARE IN mm



Floor Inlet with flow adjustable screw



Wall Inlet with directional adj. eye ball

Code	Type
VF104	Concrete / Floor
HD53C	Concrete / Wall

**certikin**  
swimming pool products india pvt ltd

**Return -inlets**

Concrete

Drawn: Ar	Dwg No: in-01
Scale: 1 : 1	Date: 11/08/09
	Checked: KM