

**Certikin**  
international ltd

## HPS HYDROSWIM PUMPS

### FEATURES



- High hydraulic efficiency
- Ultra quiet operation
- Simple, robust & compact
- One-piece body in durable resistant composite material
- Noryl impellor
- Innovative design with patented strainer basket
- Use: fresh water - sea water - treated water - brackish water
- Fast-opening translucent lid
- Motor IP 55 - class F - continuous rating
- Stainless steel shaft



- Haut rendement hydraulique
- Simple, robuste, compacte
- Corps monobloc en matériaux composites inaltérables
- Turbine en Noryl
- Conception innovante avec panier préfiltre breveté
- Utilisation: eau douce - eau de mer - eau traitée ou saumâtre
- Couvercle translucide à ouverture rapide
- Motor IP 55 - classe F - Service continu
- Arbre inox 316L



- Alto rendimiento hidráulico
- Simple, robusta, compacta
- Cuerpo monobloque de materiales composites inalterables
- Turbina de Noryl
- Diseño innovador con cesto prefiltro patentado
- Utilización: agua dulce - agua de mar - agua tratada o salobre
- Tapa translúcida de apertura rápida
- Motor IP 55 - clase F - Servicio continuo
- Árbol de acero inoxidable 316L



*Self-priming centrifugal pumps for swimming pool filtration.*



*Pompes centrifuges auto-amorçantes pour la filtration de piscines.*

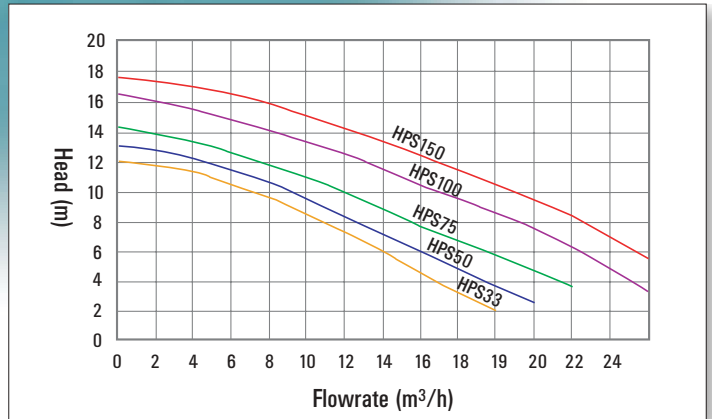


*Bombas centrifugas autocebantes para la filtración de piscinas*

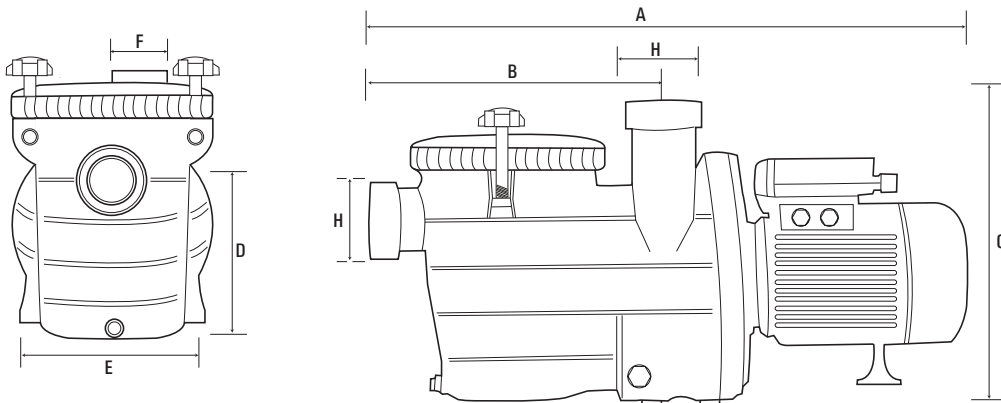


## SPECIFICATIONS

Type	HP	kW	Head in m / Hauteur en m / Altura en m										
			4	6	8	10	11	12	14	16	17		
HPS031	0.33	0.24	17	14	11	7	4						
HPS051	0.5	0.37	18.5	16	12	9	7	4.2					
HPS053	0.5	0.37	18.5	16	12	9	7	4.2					
HPS071	0.75	0.55	21	18.5	15	12	10	7.5	2				
HPS073	0.75	0.55	21	18.5	15	12	10	7.5	2				
HPS101	1	0.74	25	22	19.5	17	15	13	8	2			
HPS103	1	0.74	25	22	19.5	17	15	13	8	2			
HPS151	1.5	1.1	28	25	22	19.5	18.5	17.5	12	7	4		
HPS153	1.5	1.1	28	25	22	19.5	18.5	17.5	12	7	4		



## DIMENSIONS



Type	Dimensions in mm / Dimensions en mm / Dimensiones en mm							Weight Poids Peso
	A	B	C	D	E	F	H	
HPS031	474	219	236	147	137	58	1.5"	9.5kg
HPS051	474	219	236	147	137	58	1.5"	9.5kg
HPS053	474	219	236	147	137	58	1.5"	9.5kg
HPS071	474	219	236	147	137	58	1.5"	9.5kg
HPS073	474	219	236	147	137	58	1.5"	9.5kg
HPS101	500	219	236	147	137	58	1.5"	12.5kg
HPS103	500	219	236	147	137	58	1.5"	12.5kg
HPS151	500	219	236	147	137	58	1.5"	12.5kg
HPS153	500	219	236	147	137	58	1.5"	12.5kg

If you should require further technical information please do not hesitate to contact us.

