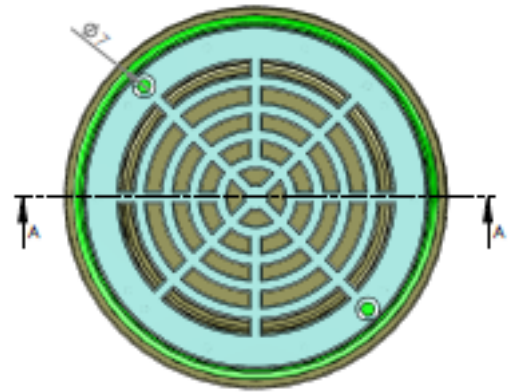
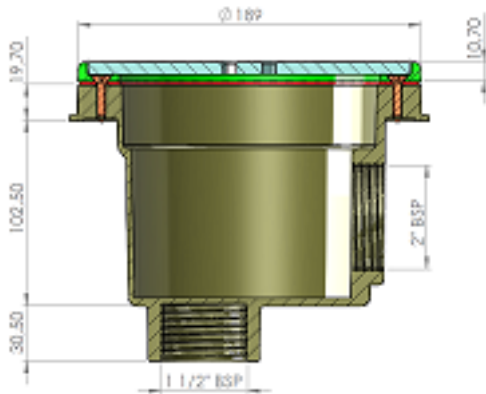


ECO-MAIN DRAINS

Dimensions					
Model (mm)	A	B	C	D1	D2
HSA800	Ø198	160	80	1,5" BSP	1,5" BSP
HSA802	Ø198	160	80	2" BSP	1,5" BSP
HSA900	Ø198	166	86	1,5" BSP	1,5" BSP
HSA902	Ø198	166	86	2" BSP	1,5" BSP

Max Recommended flow 13m³/h at 0,5m/s



Eco Main Drains - Concrete Pools

Code	Description
HSA800	Main drain concrete 1.5" base 2" side outlet
HSA802	Main drain concrete 2" base 2" side outlet

Eco Main Drains - Liner & Prefabricated Pools

HSA900	Main drain liner / prefabricated 1.5" base 2" side outlet
HSA902	Main drain liner / prefabricated 1.5" base 2" base outlet