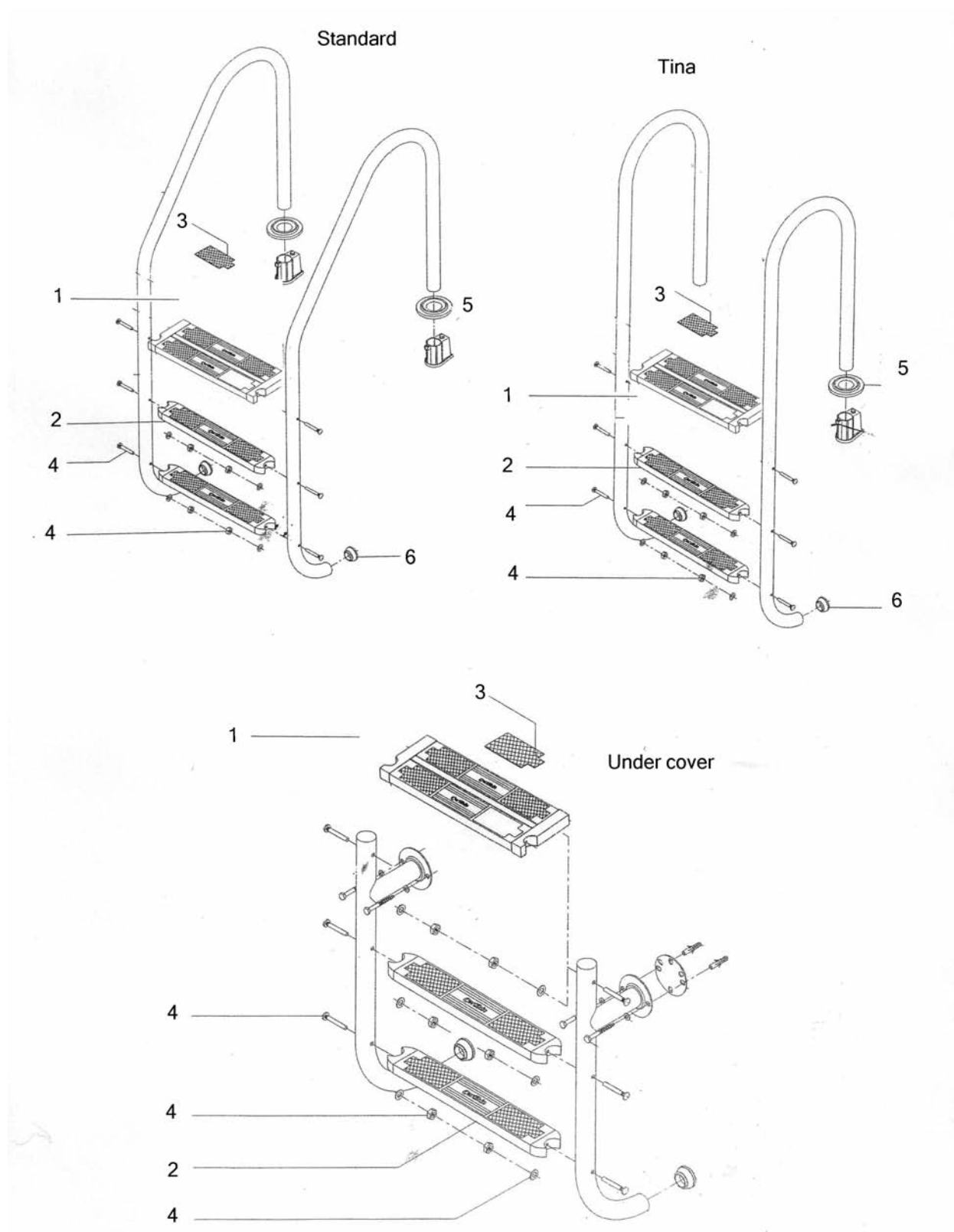


Around the pool

- Ladders

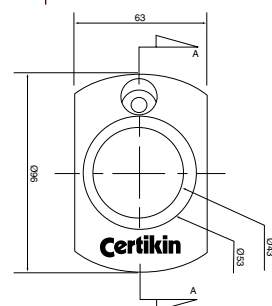
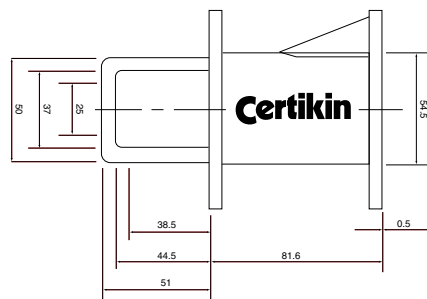
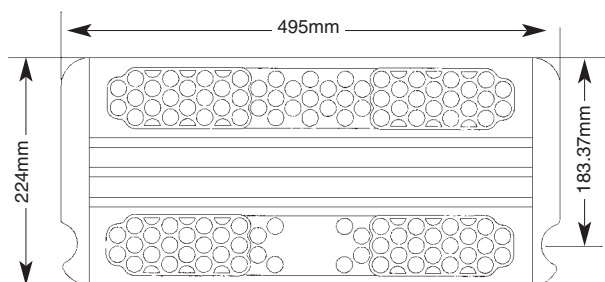
Around the pool



Product Information	Manufacturers Code	Item No:	Certikin Code	Product Description
<p>2 required per tread</p> <p>2 required per ladder</p> <p>2 required per ladder</p> <p>2 required per ladder</p> <p>2 required per ladder</p> <p>2 required per ladder</p> <p>2 required per ladder</p> <p>1 pack per ladder</p> <p>1 required per ladder</p> <p>1 required per ladder</p> <p>2 required per tread</p> <p>1 pack per tread</p> <p>1 pack per tread</p> <p>2 required per tread</p>			<p>SPC251</p> <p>SPC292</p> <p>SPC295</p> <p>SPC313</p> <p>SPC313R</p> <p>SPC316</p> <p>SPC306</p> <p>SPC317/4</p> <p>HD10P</p> <p>HD10</p> <p>SPC0322</p> <p>SPC293/10</p> <p>SPC294/10</p> <p>SPC300</p> <p>SPC251W</p> <p>SPC290</p>	<p>1.5" ladder Accessories</p> <p>ABS Tread End - White</p> <p>Plastic Ladder End Insert</p> <p>Rubber Pimple Pad</p> <p>ABS Escutcheon Plate</p> <p>S/S Escutcheon Plate</p> <p>ABS Pinch Anchor</p> <p>Pinch Anchor Plug</p> <p>Pinch Anchor Bolts (M8 x 30) - Pack of 4</p> <p>Pinch Anchor Set Per Ladder</p> <p>Pinch Anchor & Escutcheon Set Per Ladder</p> <p>Nut, Bolt & Washer To Suit 1.5" Tread</p> <p>M8 Nyloc Nut - Pack of 10</p> <p>M8 S/S Flat Washer - Pack of 10</p> <p>S/S Ladder Bolt - A4</p> <p>1.7" - 1.5" Tread Conversion Spacer (Pair)</p> <p>1.5" Hi-impact White ABS Tread</p>
<p>2 required per tread</p> <p>2 required per ladder</p> <p>2 required per ladder</p> <p>2 required per ladder</p> <p>2 required per ladder</p> <p>2 required per ladder</p> <p>2 required per tread</p>			<p>SPC290/17D</p> <p>SPC290/17/316</p> <p>SPC296</p> <p>SPC300A</p> <p>SPC313/17</p> <p>SPC295/17</p> <p>SPC313/17316</p> <p>SPC31617N</p> <p>SPC296F</p>	<p>1.7" ladder Accessories</p> <p>Double Width Top Tread</p> <p>Step</p> <p>Black Anti-Slip Pad - Diamond Shape Pattern</p> <p>S/S Tread Bolts - Pack of 4</p> <p>S/S Escutcheon Plate</p> <p>Rubber Bumper</p> <p>S/S Escutcheon Plate - Grade 316</p> <p>Pinch Anchor & Bolt</p> <p>Black Anti-Slip Pad - Rounded Corners</p>
<p>2 required per tread</p> <p>2 required per ladder</p> <p>2 required per ladder</p> <p>2 required per ladder</p> <p>2 required per ladder</p> <p>2 required per ladder</p>			<p>SPC250</p> <p>SPC295G</p> <p>SPC313A</p> <p>SPC313S</p> <p>SPC316A</p> <p>SPC295A</p>	<p>1.9" ladder Accessories</p> <p>ABS Tread End</p> <p>Ladder End Cap - Grey</p> <p>S/S Escutcheon Plate</p> <p>ABS Escutcheon Plate</p> <p>Pinch Anchor</p> <p>Ladder Bung</p>
		<p>1</p> <p>3</p> <p>4</p> <p>5</p>	<p>ZZ0551</p> <p>SPC335</p> <p>SPC336</p> <p>SPC337/10</p> <p>SPC338/10</p>	<p>Certikin Handrail Brackets</p> <p>Plug & Bolt S/S Handrail Bracket</p> <p>Clip Fit Bracket Base Plate</p> <p>Clip Fit Bracket Cover Plate</p> <p>Clip Fit Bracket Wall Plug M6 - Pack of 10</p> <p>Clip Fit Bracket Screw M6 x 50mm -</p>

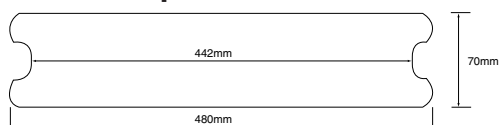
Around the pool

1.7" Stainless Steel Double Tread

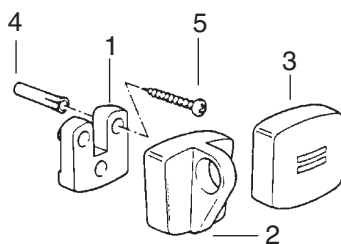
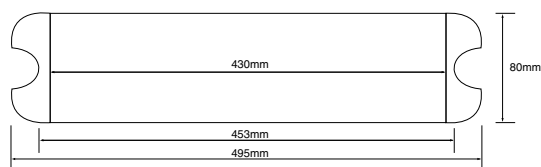


Pinch Anchor

1.5" ABS Step Tread

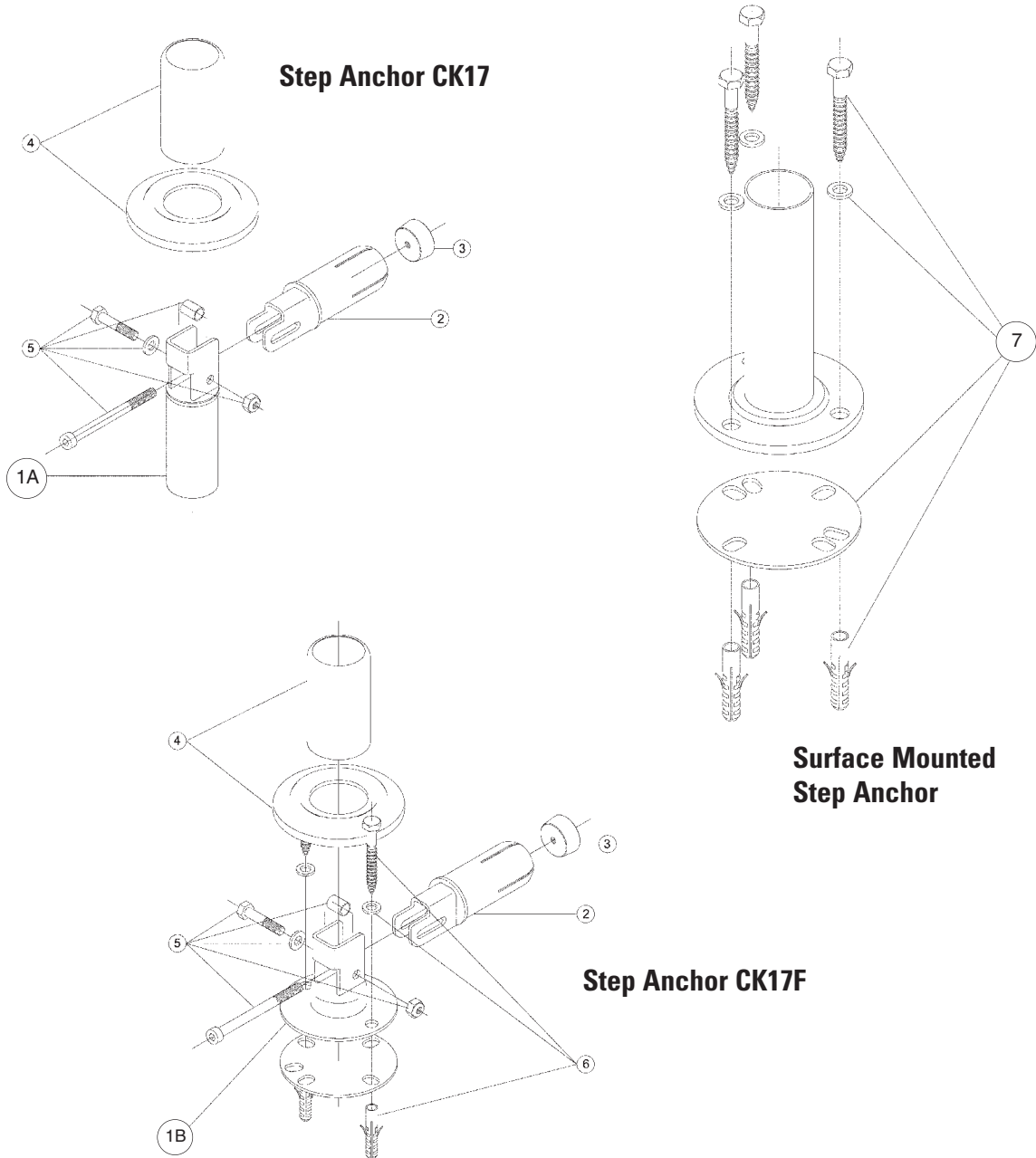


1.7" Stainless Steel Anti Slip Tread



Handrail Brackets

Product Information	Manufacturers Code	Item No:	Certikin Code	Product Description	Price €
				Step Swivels	
		1A	CE01090201	Step Anchor	136.74
		1B	CE01090206	Step Anchor	54.80
		2	CE01090202	Step Anchor Insert	128.47
		3	CE01090203	Adjustment Plug	28.20
		4	CE01090204	Escutcheons	50.01
		5	CE01090205	Bolt Set	23.64
		6	CE01010801	Screw Set	13.30
		7	CE1091002	Surface Mounted Step Anchor	15.41



Around the Pool

The above prices are exclusive of delivery and VAT

C7

Product Information	Manufacturers Code	Item No:	Certikin Code	Product Description
		1	CE01040101	Shower - Stock Items Valve
		2	CE01042602	Plastic Control Handle Axis
		3	CE01042603	Plastic Control Handle
		4	CE01042604	Shower Head
		5	CE01040105	Shower Arm
		6	CE01040106	Top Escutcheon - 43
		7	CE01040107	Bottom Escutcheon - 43
		8	CE01040108	Escutcheon Plate
		9	CE01040109	Anchor
		10	CE01040110	Outer Pipe 0.5"
		11	CE01040903	Earthing Connection
		12	CE01040804	Tee 0.5"
		13	CE01042711	Tap Body
		14	CE01040212	Outer Pipe 0.5"

